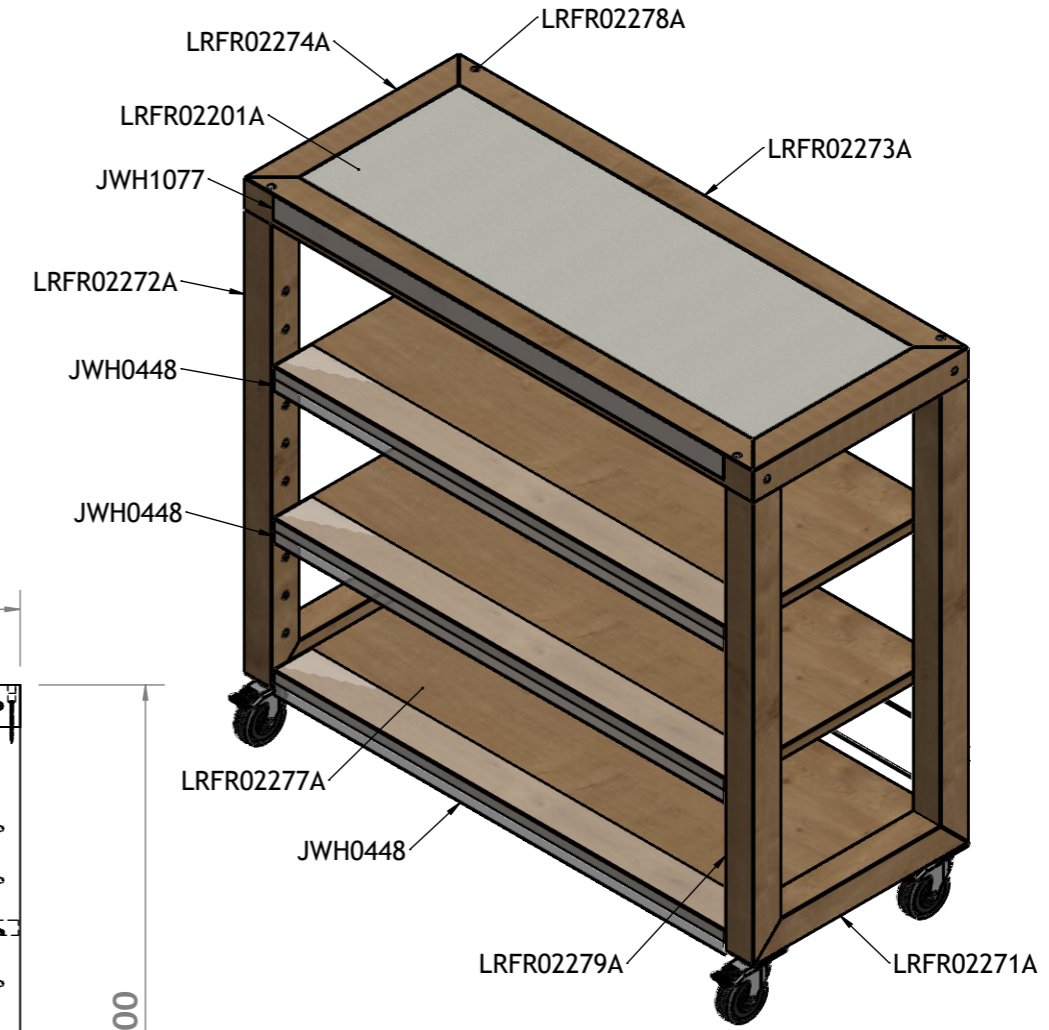
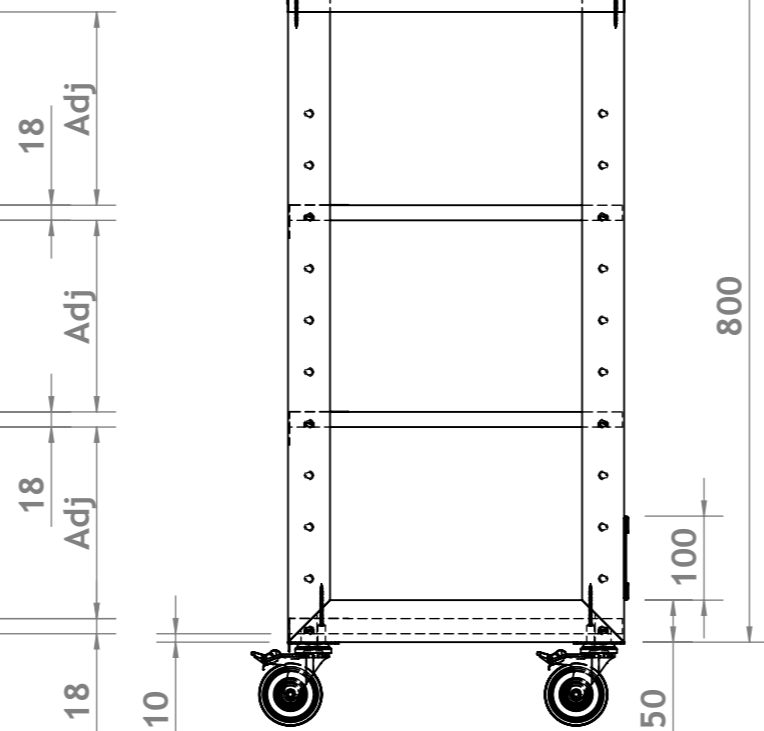
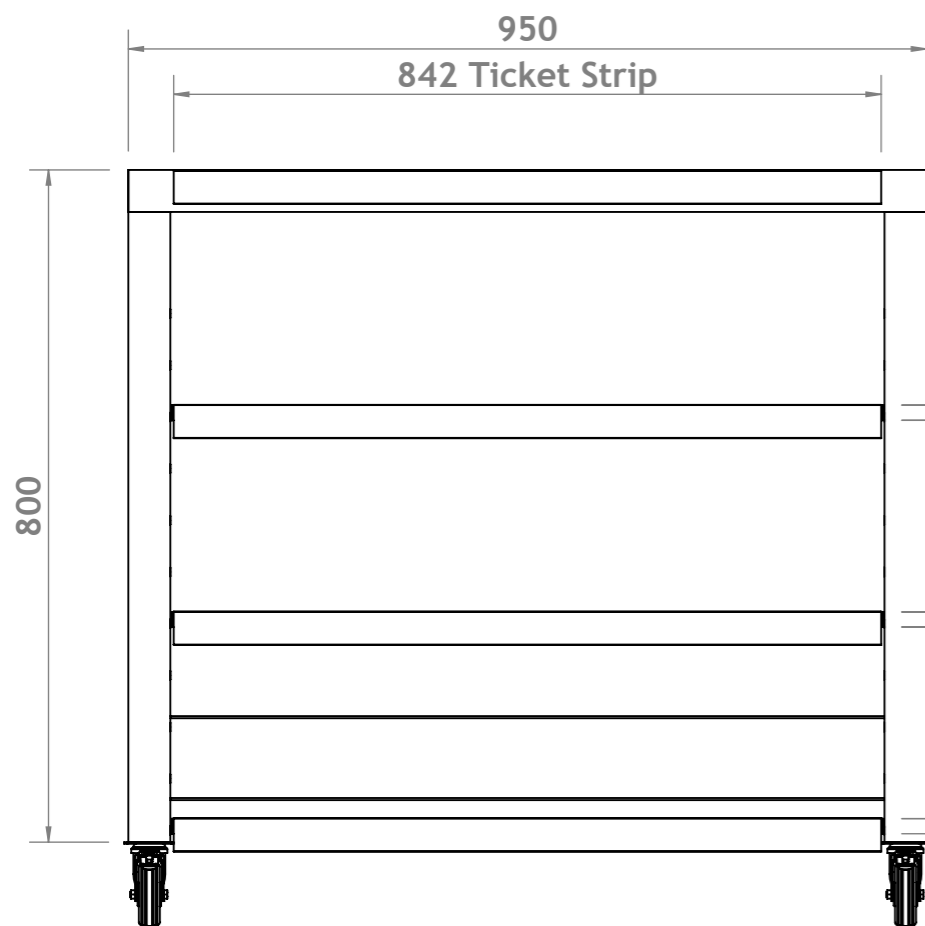
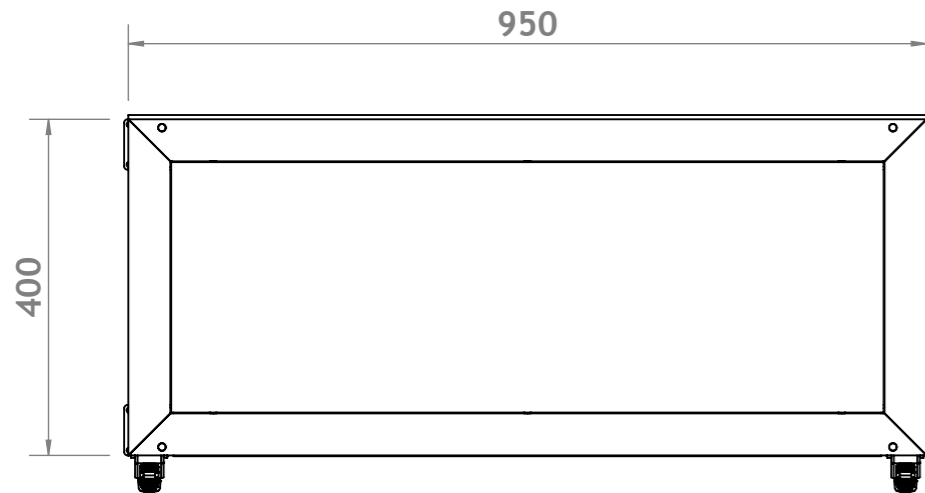


ITEM NO.	PART NAME	PART NO.	MATERIAL	QTY.	REV.
1	UKPOS_Data Strip with Adhesive Return 842mm	JWH0448	Data strip with flat adhesive return	3	--
2	Hafele_Shelf Support Plug In 7mm Hole_282.01.701	JWH0691	Shelf Support Plug In, Nickel Plated	18	--
3	Hafele_Socket, for plug fitting_282.50.704	JWH0692	Socket, for plug fitting, nickel plated	44	--
4	WE_40mm Self Adhesive Ticket Edge 842mm	JWH1077	39mm clear ticket edge with self adhesive strip	1	--
5	Screwfix_Select Nylon Castor 75mm_692FT	JWH1159	Select nylon castors 75mm	4	--
6	LRFR02201A_Wallside Feature Counter Trolley_Solid Surface_Trolley Top	LRFR02201A	3.00mm Elements3 - E3-236 White Pebble	1	--
7	LRFR02231A_Wallside Feature Counter Trolley_Metal_Brace	LRFR02231A	2.50mm CR4 - RAL 9005	1	A
8	LRFR02271A_Wallside Feature Counter Trolley_Timber_Side Bottom	LRFR02271A	50.00mm x 50.00mm Redwood Pine	2	A
9	LRFR02272A_Wallside Feature Counter Trolley_Timber_Front Vert	LRFR02272A	50.00mm x 50.00mm Redwood Pine	2	A
10	LRFR02273A_Wallside Feature Counter Trolley_Timber_Front Horiz	LRFR02273A	50.00mm x 50.00mm Redwood Pine	2	--
11	LRFR02274A_Wallside Feature Counter Trolley_Timber_Side Top	LRFR02274A	50.00mm x 50.00mm Redwood Pine	2	--
12	LRFR02276A_Wallside Feature Counter Trolley_Timber_Sub Top	LRFR02276A	18.00mm Birch Faced Plywood	1	--
13	LRFR02277A_Wallside Feature Counter Trolley_Timber_Adj Shelf	LRFR02277A	18.00mm Birch Faced Plywood	3	A
14	LRFR02278A_Wallside Feature Counter Trolley_Timber_Dowel	LRFR02278A	9.00mm dia Redwood Pine Dowel	8	--
15	MirrorLRFR02272A_Wallside Feature Counter Trolley_Timber_Front Vert	LRFR02279A	50.00mm x 50.00mm Redwood Pine	2	--

REVISIONS			
REV.	DESCRIPTION	DATE	BY
A	Timber brace removed, metal braced added to rear, shelf postioned updated, ticket strips added	19/05/2020	SM



NOTES:

- Unit to be sent to site as shown.
- Stain to be confirmed.
- Solid surface top to be loose and flush to the top.
- Ticket strips to be fit in workshop

FIRST OFF

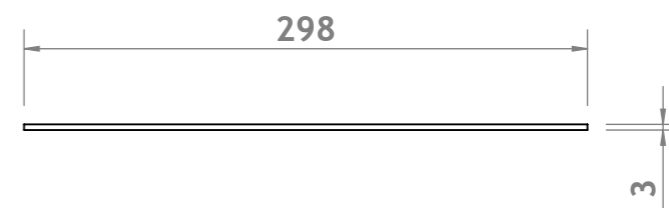
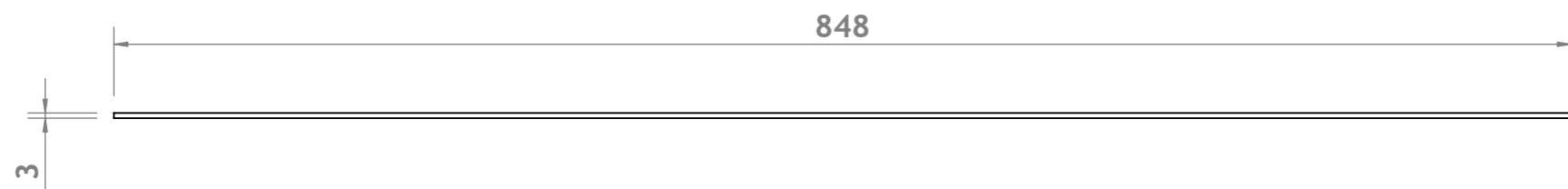


SHEET NO: 1 OF 10	A3
UNIT REVISION: A	
PART REVISION: A	DATE: 03/03/2020
DRAWN BY: SM	CHECKED BY: SM
APPROX. WEIGHT: 24.56kg	

UNLESS OTHERWISE STATED;
ALL DIMENSIONS ARE IN MILLIMETERS (mm)
LINEAR TOLERANCE ±0.5
ANGULAR TOLERANCE ±1.0°

PART NO: LRFR02200A

MATERIAL: See BOM table for individual material references
FILE NAME: LRFR02200A_Wallbay Feature Counter Trolley



NOTES:

FIRST OFF



SHEET NO: 2 OF 10 **A3**

UNIT REVISION: A

PART REVISION: -- DATE: 03/03/2020

DRAWN BY: SM CHECKED BY: SM

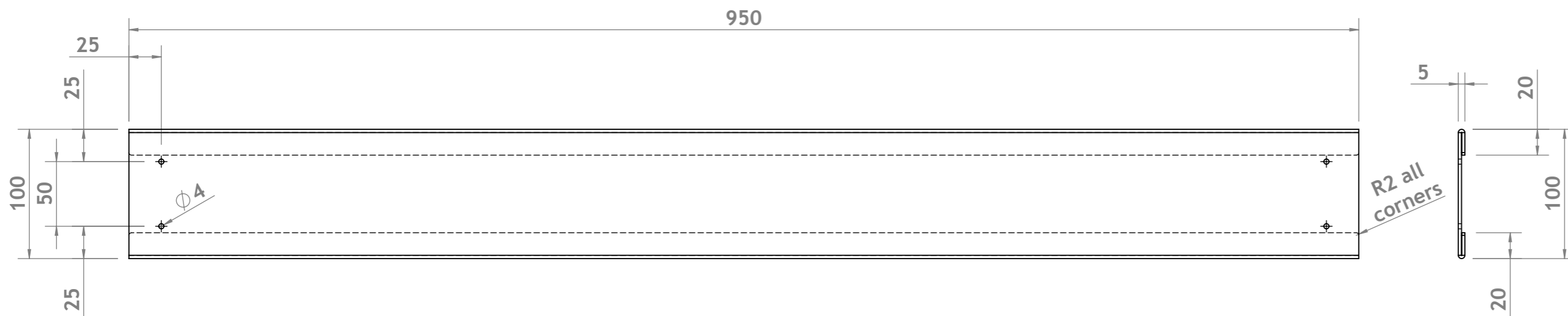
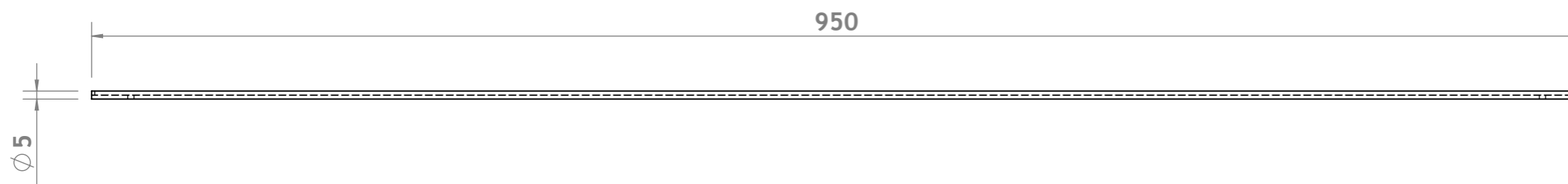
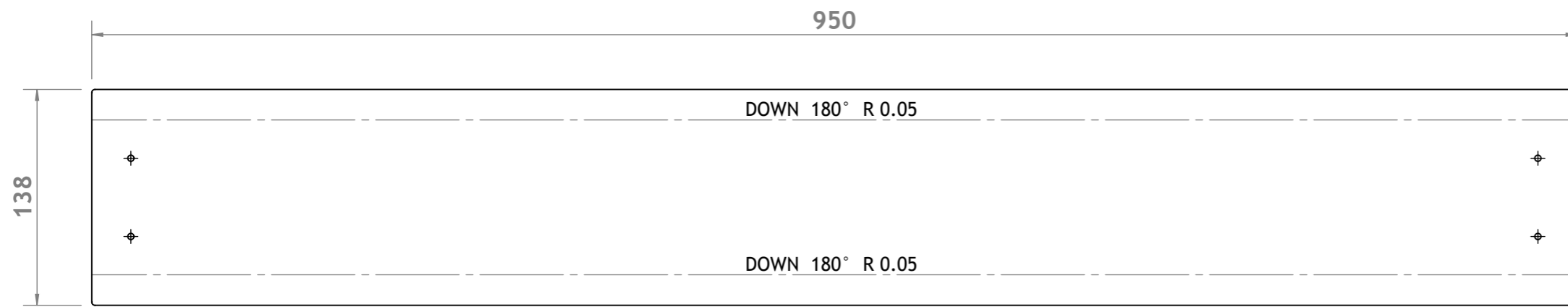
APPROX. WEIGHT: 0.42kg

UNLESS OTHERWISE STATED:
ALL DIMENSIONS ARE IN MILLIMETERS (mm)
LINEAR TOLERANCE ±0.5
ANGULAR TOLERANCE ±1.0°

PART NO: LRFRO2201A

MATERIAL: 3.00mm Elements3 - E3-236 White Pebble

FILE NAME: LRFRO2201A_Wallside Feature Counter Trolley_Solid Surface_Trolley Top



NOTES:

FIRST OFF



SHEET NO: 3 OF 10 A3

UNIT REVISION: A

PART REVISION: A DATE: 03/03/2020

DRAWN BY: SM CHECKED BY: SM

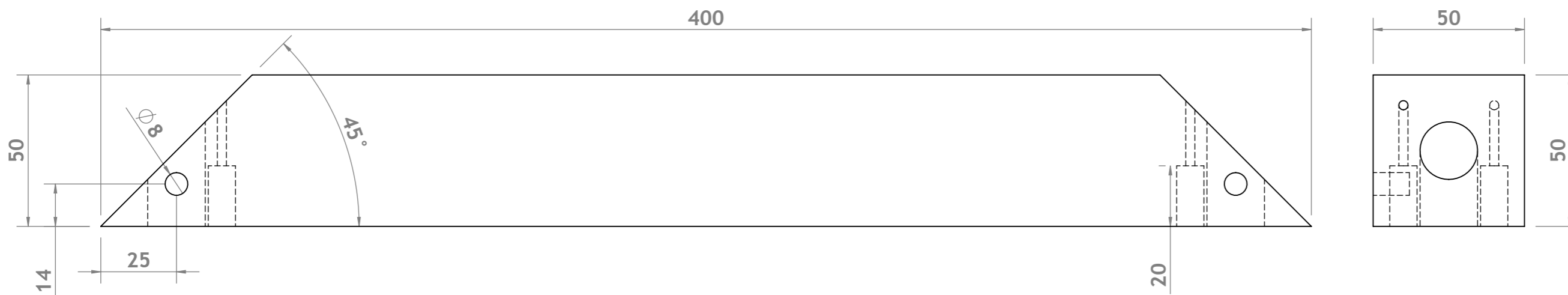
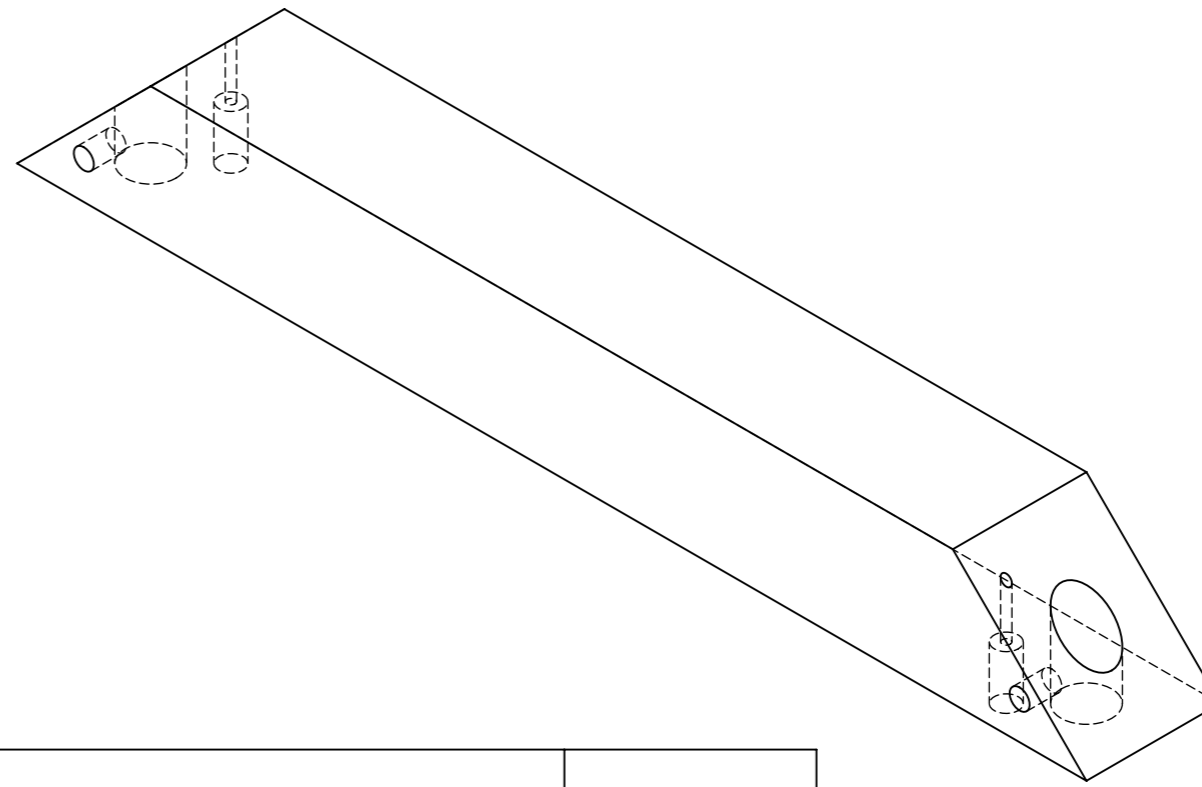
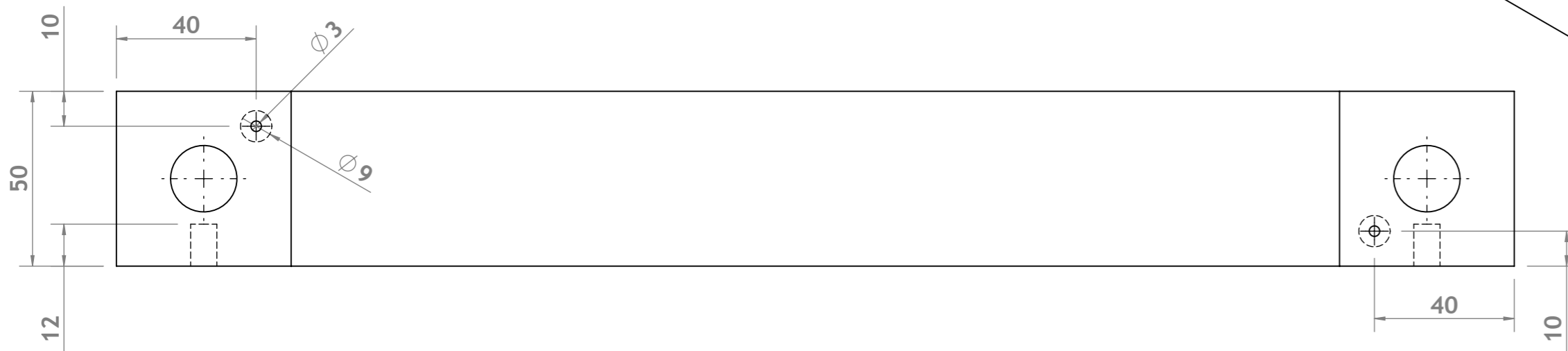
APPROX. WEIGHT: 2.57kg

UNLESS OTHERWISE STATED:
ALL DIMENSIONS ARE IN MILLIMETERS (mm)
LINEAR TOLERANCE ±0.5
ANGULAR TOLERANCE ±1.0°

PART NO: LRFR02231A

MATERIAL: 2.50mm CR4 - RAL 9005

FILE NAME: LRFR02231A_Wallside Feature Counter Trolley_Metal_Brace



NOTES:

FIRST OFF



SHEET NO: 4 OF 10 A3

UNIT REVISION: A

PART REVISION: A DATE: 03/03/2020

DRAWN BY: SM CHECKED BY: SM

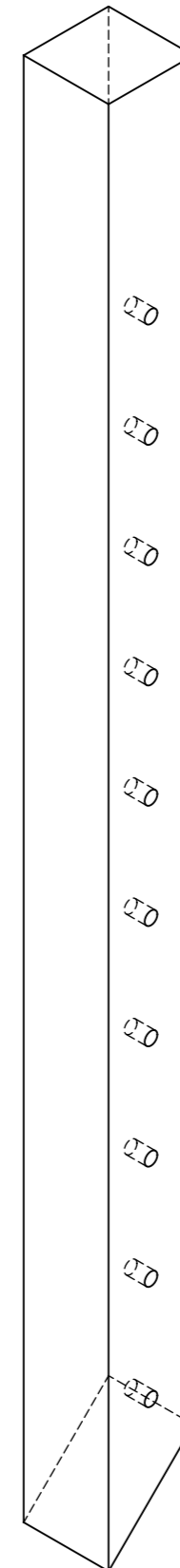
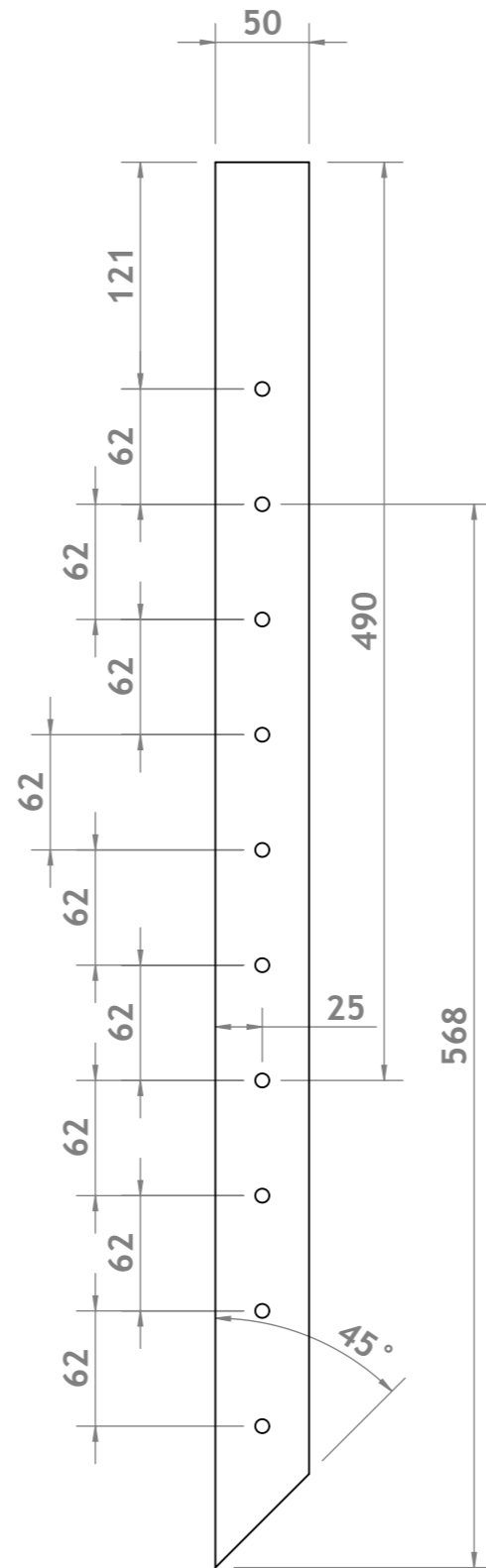
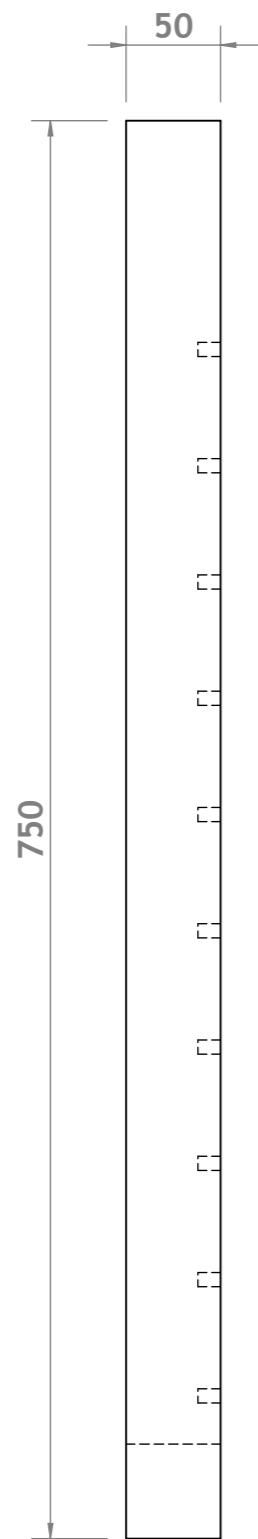
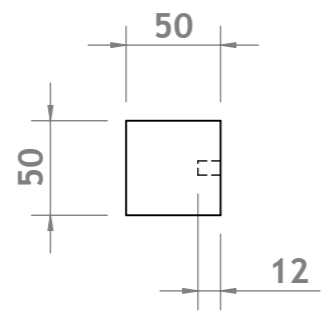
APPROX. WEIGHT: 0.48kg

UNLESS OTHERWISE STATED;
ALL DIMENSIONS ARE IN MILLIMETERS (mm)
LINEAR TOLERANCE ± 0.5
ANGULAR TOLERANCE $\pm 1.0^\circ$

PART NO: LRFR02271A

MATERIAL: 50.00mm x 50.00mm Redwood Pine

FILE NAME: LRFR02271A_Wallside Feature Counter Trolley_Timber_Side Bottom



NOTES:

LRFR02279A is a mirror of this part.

FIRST OFF



SHEET NO: 5 OF 10 **A3**

UNIT REVISION: A

PART REVISION: A DATE: 03/03/2020

DRAWN BY: SM CHECKED BY: SM

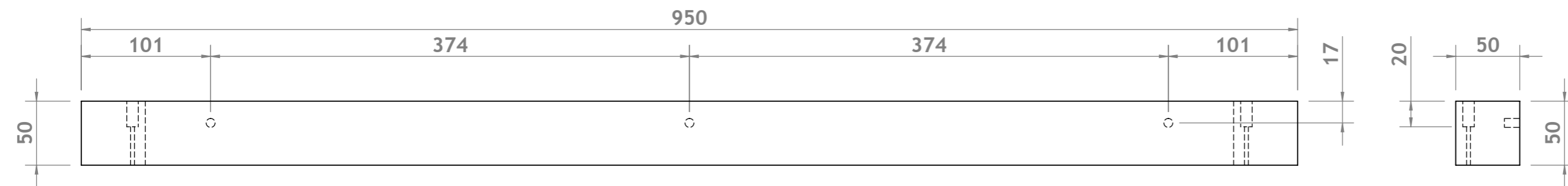
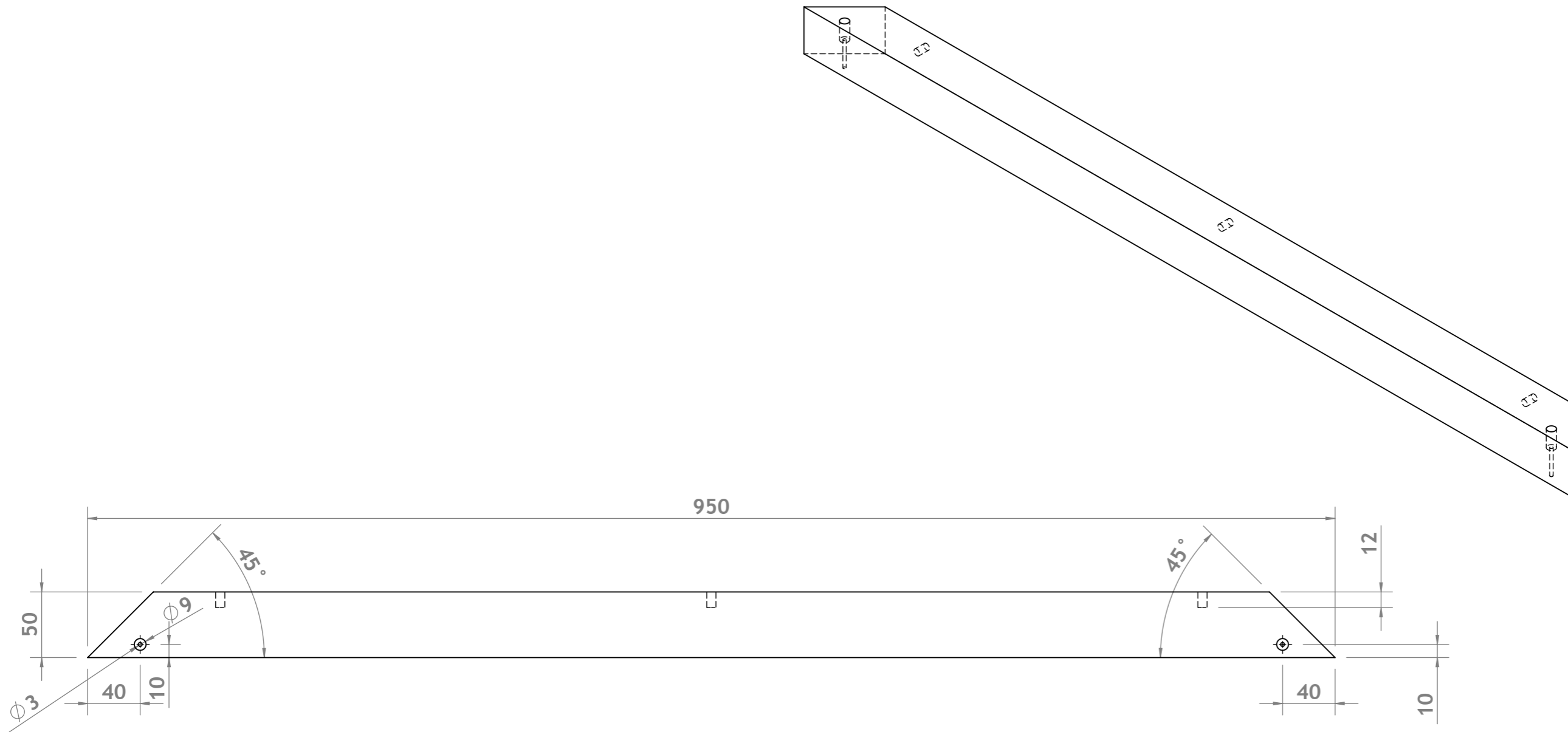
APPROX. WEIGHT: 1.01kg

UNLESS OTHERWISE STATED:
ALL DIMENSIONS ARE IN MILLIMETERS (mm)
LINEAR TOLERANCE ±0.5
ANGULAR TOLERANCE ±1.0°

PART NO: LRFR02272A

MATERIAL: 50.00mm x 50.00mm Redwood Pine

FILE NAME: LRFR02272A_Wallside Feature Counter Trolley_Timber_Front Vert



NOTES:

FIRST OFF



SHEET NO: 6 OF 10 | **A3**

UNIT REVISION: A

PART REVISION: -- | DATE: 03/03/2020

DRAWN BY: SM | CHECKED BY: SM

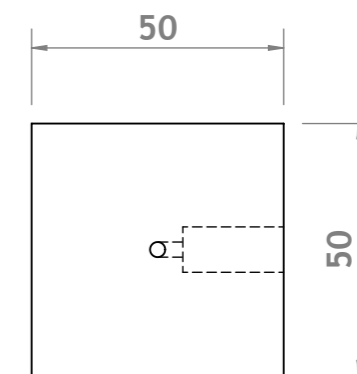
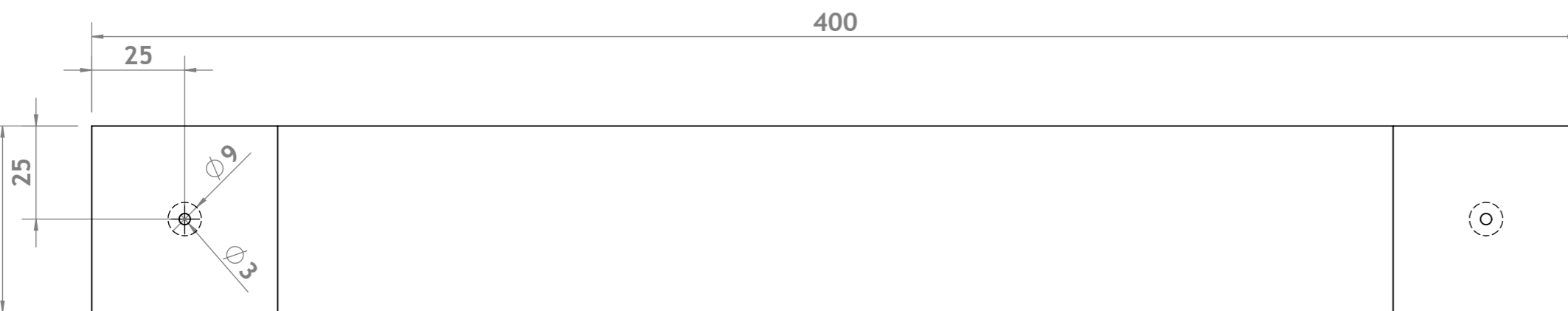
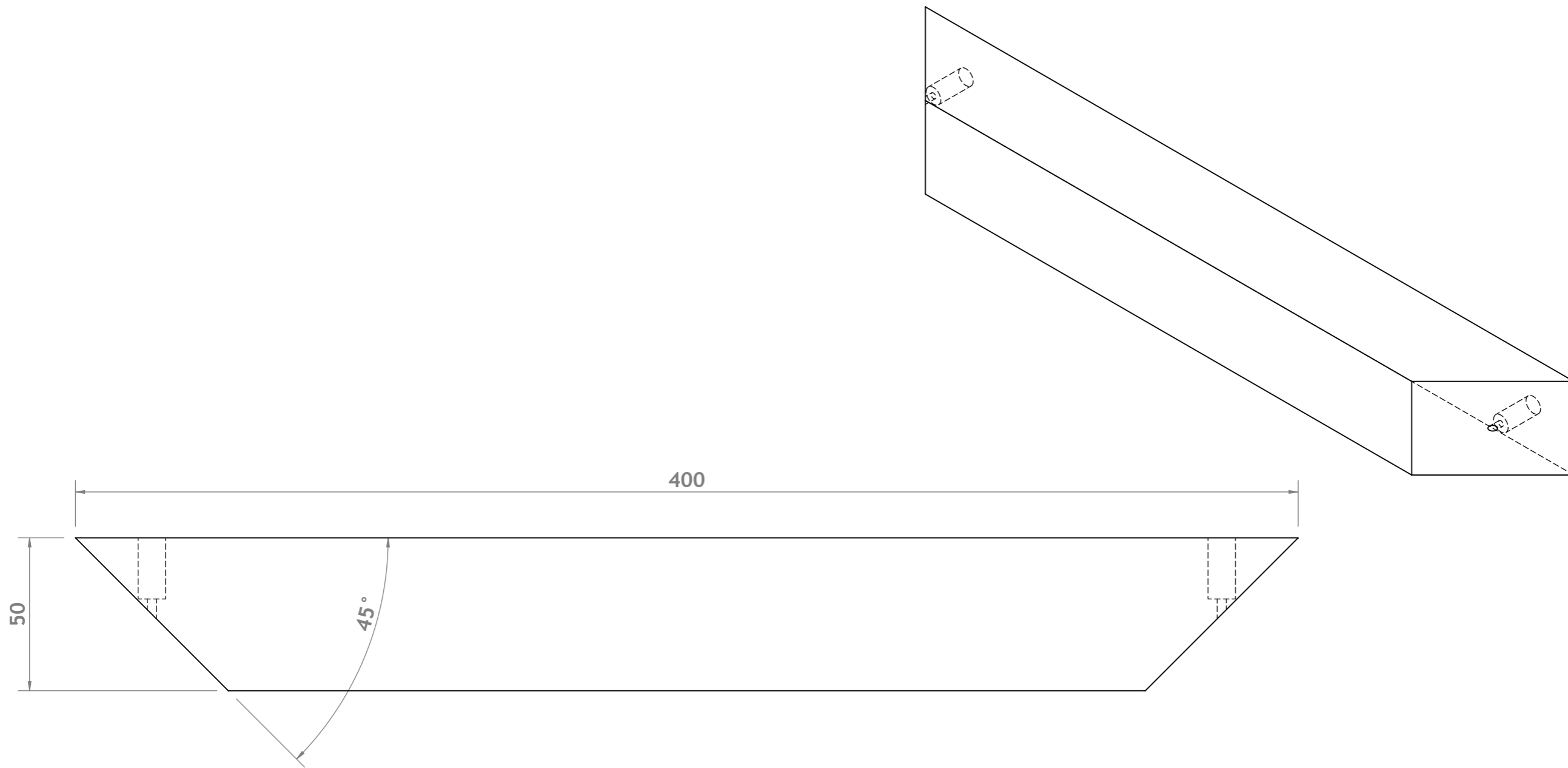
APPROX. WEIGHT: 1.26kg

UNLESS OTHERWISE STATED:
ALL DIMENSIONS ARE IN MILLIMETERS (mm)
LINEAR TOLERANCE ± 0.5
ANGULAR TOLERANCE $\pm 1.0^\circ$

PART NO: LRFR02273A

MATERIAL: 50.00mm x 50.00mm Redwood Pine

FILE NAME: LRFR02273A_Wallside Feature Counter Trolley_Timber_Front Horiz



NOTES:

FIRST OFF



SHEET NO: 7 OF 10 | **A3**

UNIT REVISION: A

PART REVISION: -- | DATE: 03/03/2020

DRAWN BY: SM | CHECKED BY: SM

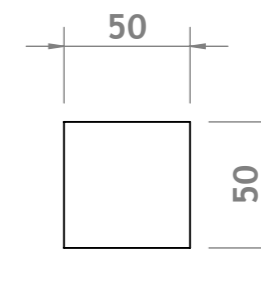
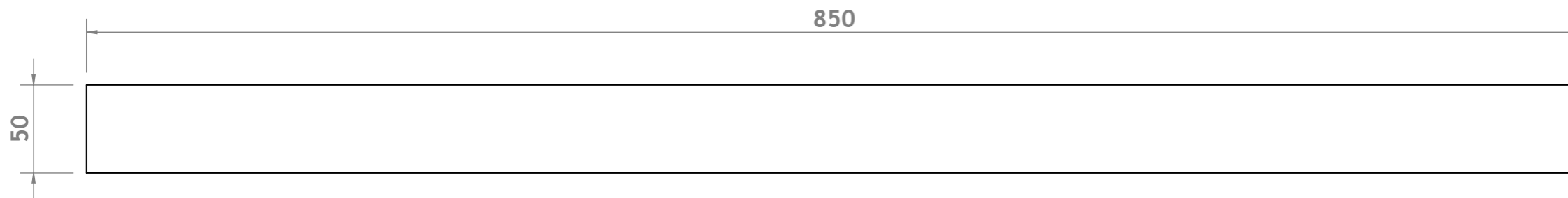
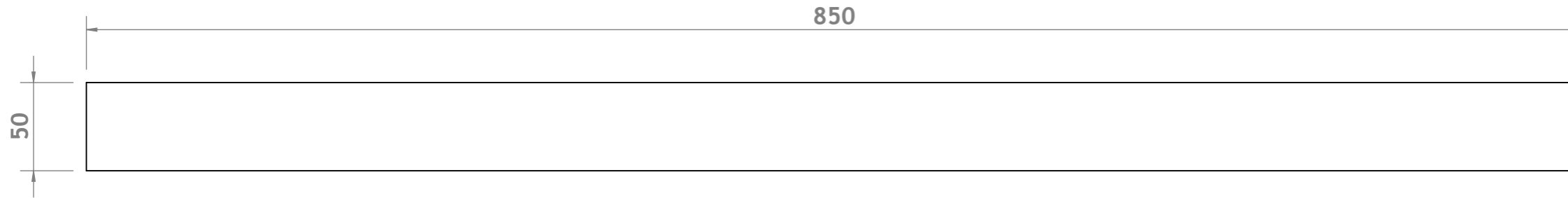
APPROX. WEIGHT: 0.49kg

UNLESS OTHERWISE STATED;
ALL DIMENSIONS ARE IN MILLIMETERS (mm)
LINEAR TOLERANCE ± 0.5
ANGULAR TOLERANCE $\pm 1.0^\circ$

PART NO: LRFR02274A

MATERIAL: 50.00mm x 50.00mm Redwood Pine

FILE NAME: LRFR02274A_Wallside Feature Counter Trolley_Timber_Side Top



NOTES:

FIRST OFF



SHEET NO: 8 OF 10 **A3**

UNIT REVISION: A

PART REVISION: -- DATE: 03/03/2020

DRAWN BY: SM CHECKED BY: SM

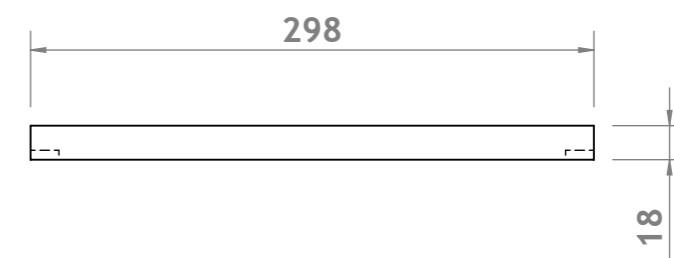
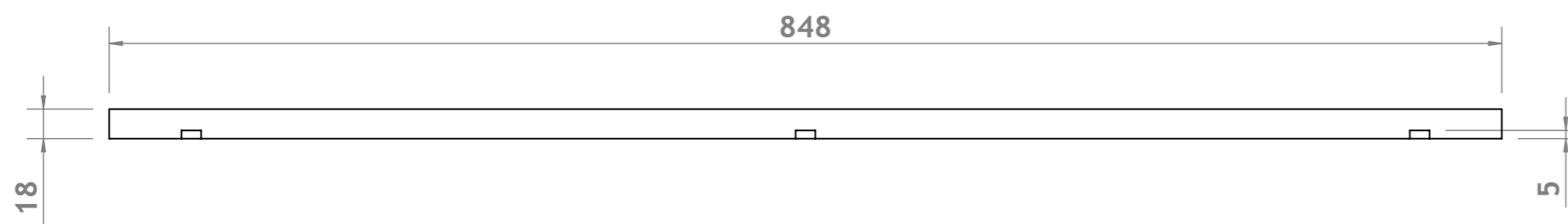
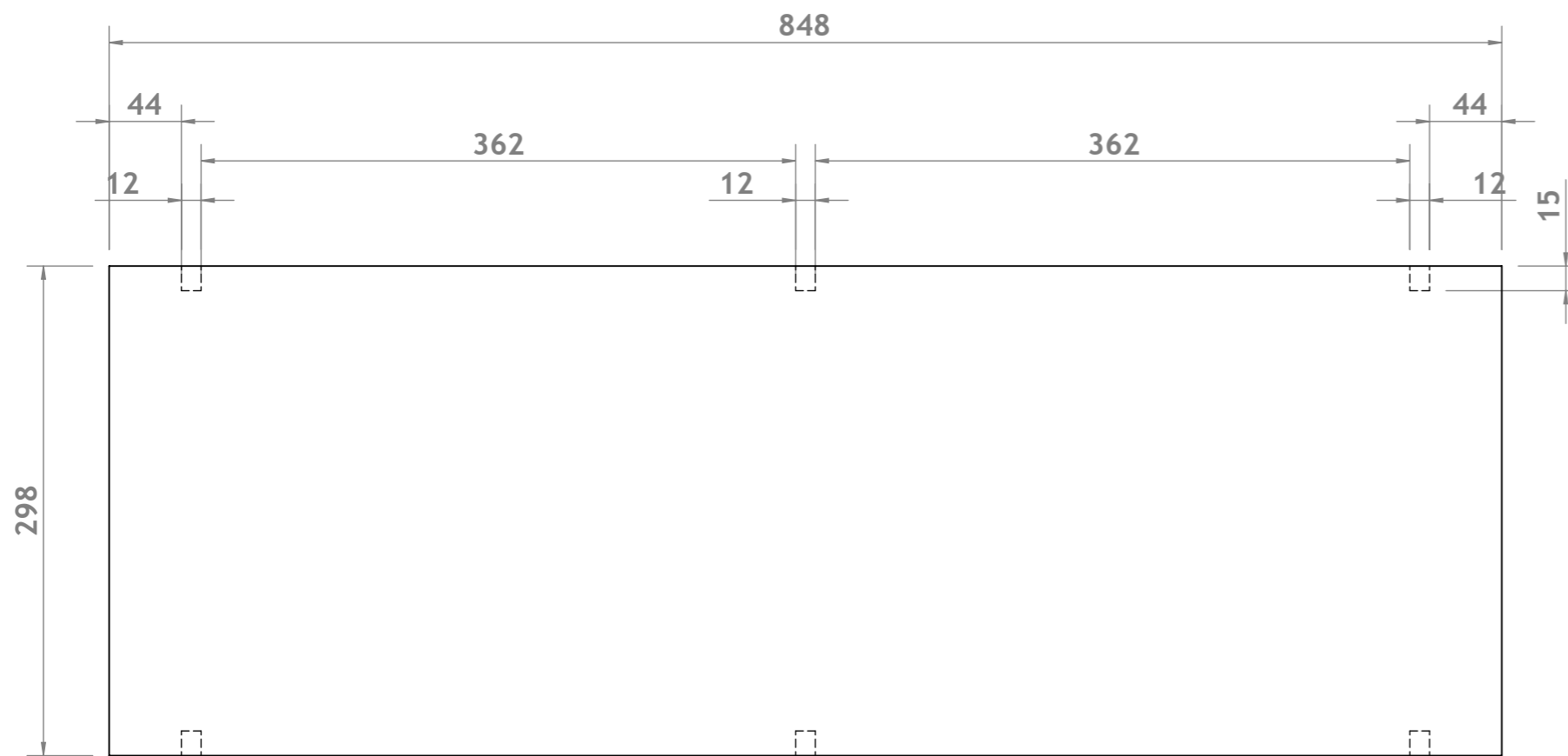
APPROX. WEIGHT: 1.19kg

UNLESS OTHERWISE STATED:
ALL DIMENSIONS ARE IN MILLIMETERS (mm)
LINEAR TOLERANCE ±0.5
ANGULAR TOLERANCE ±1.0°

PART NO: LRFRO2275A

MATERIAL: 50.00mm x 50.00mm Redwood Pine

FILE NAME: LRFRO2275A_Wallside Feature Counter Trolley_Timber_Horiz Rear Bottom



NOTES:

FIRST OFF



SHEET NO: 9 OF 10 **A3**

UNIT REVISION: A

PART REVISION: -- DATE: 03/03/2020

DRAWN BY: SM CHECKED BY: SM

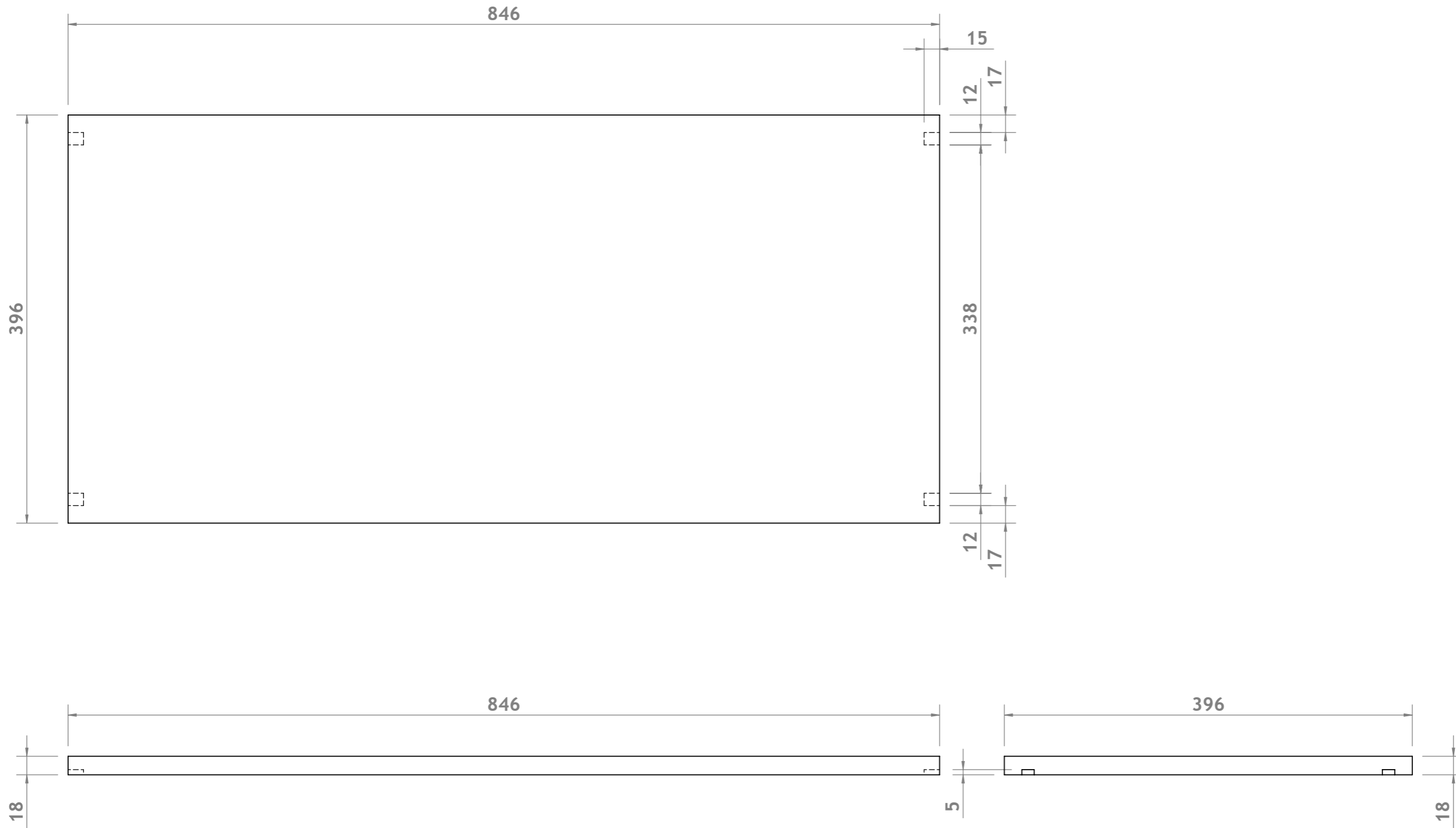
APPROX. WEIGHT: 2.54kg

UNLESS OTHERWISE STATED:
ALL DIMENSIONS ARE IN MILLIMETERS (mm)
LINEAR TOLERANCE ±0.5
ANGULAR TOLERANCE ±1.0°

PART NO: LRFRO2276A

MATERIAL: 18.00mm Birch Faced Plywood

FILE NAME: LRFRO2276A_Wallside Feature Counter Trolley_Timber_Sub Top



NOTES:

FIRST OFF



SHEET NO: 10 OF 10 A3

UNIT REVISION: A

PART REVISION: A DATE: 03/03/2020

DRAWN BY: SM CHECKED BY: SM

APPROX. WEIGHT: 3.37kg

UNLESS OTHERWISE STATED:
ALL DIMENSIONS ARE IN MILLIMETERS (mm)
LINEAR TOLERANCE ± 0.5
ANGULAR TOLERANCE $\pm 1.0^\circ$

PART NO: LRFR02277A

MATERIAL: 18.00mm Birch Faced Plywood

FILE NAME: LRFR02277A_Wallside Feature Counter Trolley_Timber_Adj Shelf