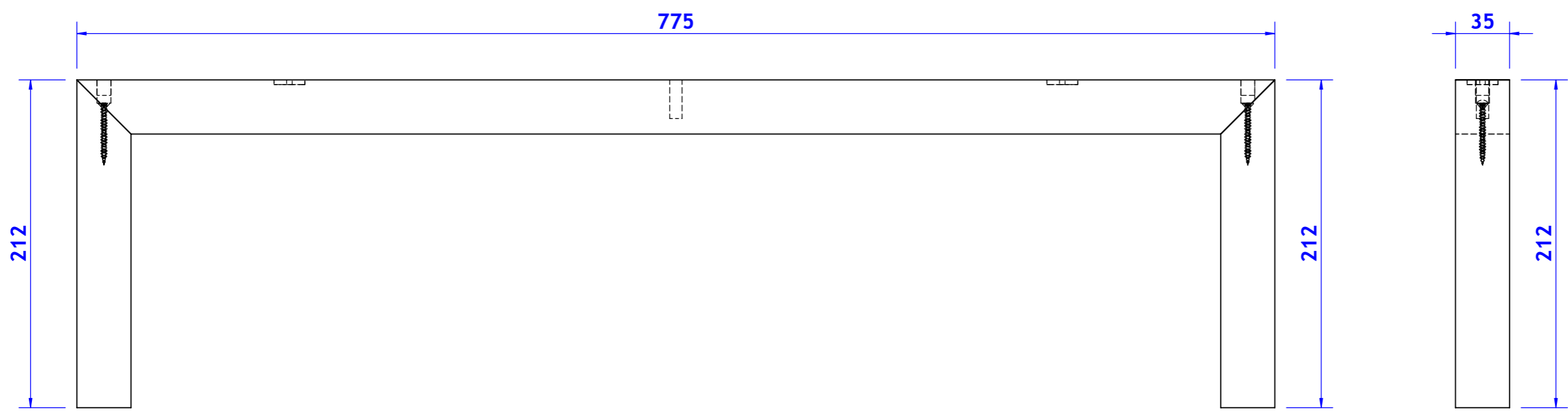
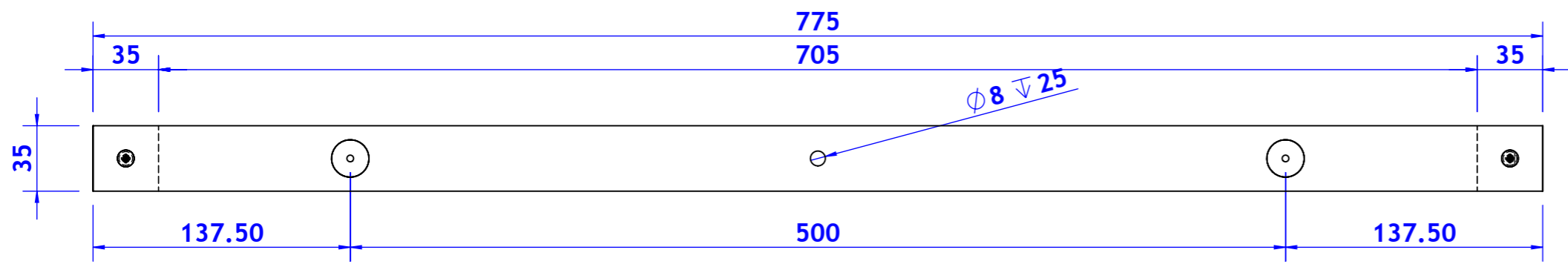
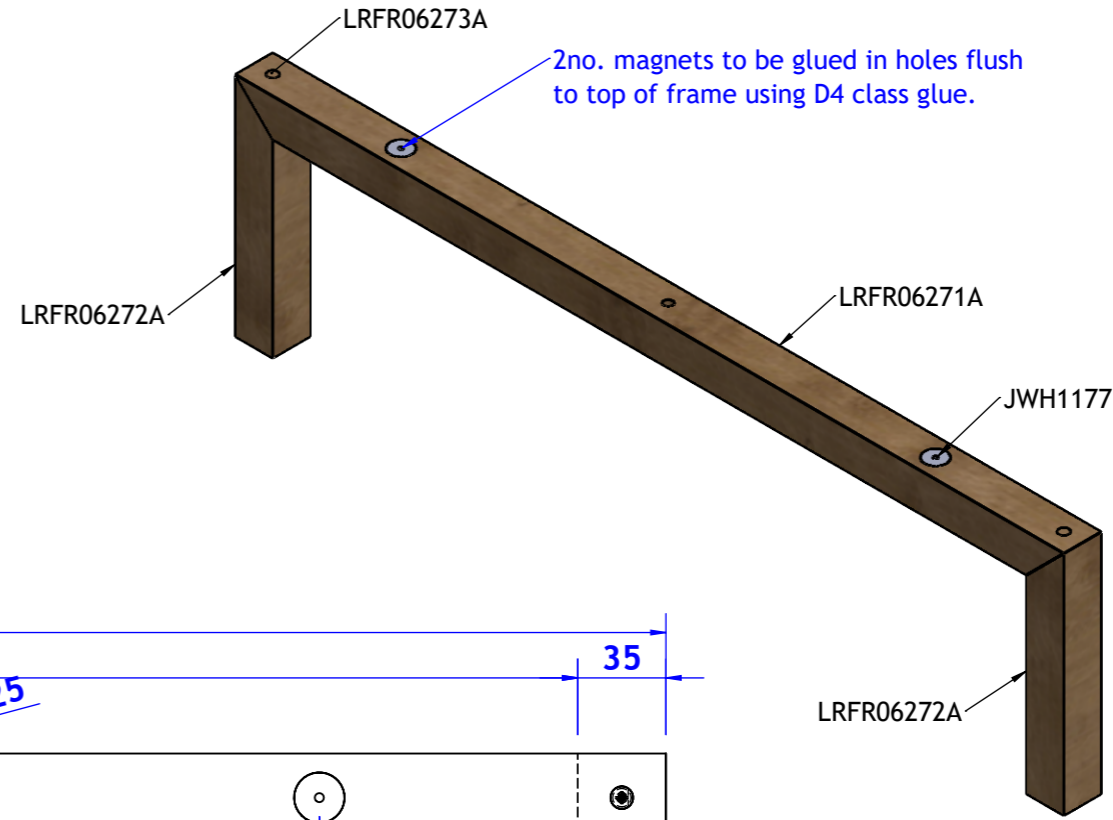


ITEM NO.	PART NAME	PART NO.	MATERIAL	QTY.	REV.
1	F406N 20x3mm N42 Neo Magnet	JWH1177	F406N 20x3mm N42 Neodymium Magnet, 4.5kg	2	
2	LRFR06271A_Midfloor Fixture POS_Timber_Horiz	LRFR06271A	35.00mm x 35.00mm Redwood Pine	1	A
3	LRFR06272A_Midfloor Fixture POS_Timber_Vert	LRFR06272A	35.00mm x 35.00mm Redwood Pine	2	--
4	LRFR06273A_Midfloor Fixture POS_Timber_Dowel	LRFR06273A	9.00mm dia Redwood Pine Dowel	2	--

REVISIONS			
REV.	DESCRIPTION	DATE	BY
A	Magnets added and locator hole	17/06/2020	SM



**NOTES:**

Unit to be sent to site as shown.

Frame to be glued and screwed construction, all screws to be countersunk and plugged with pine dowels, ensure all dowels finish flush to frame components.

2no. magnets to be glued in holes flush to top of frame using D4 class glue.

**FIRST OFF**



**SHEET NO: 1 OF 1**    **A3**

UNIT REVISION: A  
PART REVISION: A    DATE: 21/04/2020  
DRAWN BY: SM    CHECKED BY: SM  
APPROX. WEIGHT: 0.77kg

UNLESS OTHERWISE STATED;  
ALL DIMENSIONS ARE IN MILLIMETERS (mm)  
LINEAR TOLERANCE ±0.5  
ANGULAR TOLERANCE ±1.0°

**PART NO:** LRFR06200A    **MATERIAL:** Unit to be stained MA/00154 H&B Light Oak - 35.00 x 35.00mm Redwood Pine & 9.00mm Dia Redwood Pine Dowel  
**FILE NAME:** LRFR06200A\_Gondola Header Timber 775x212x35mm