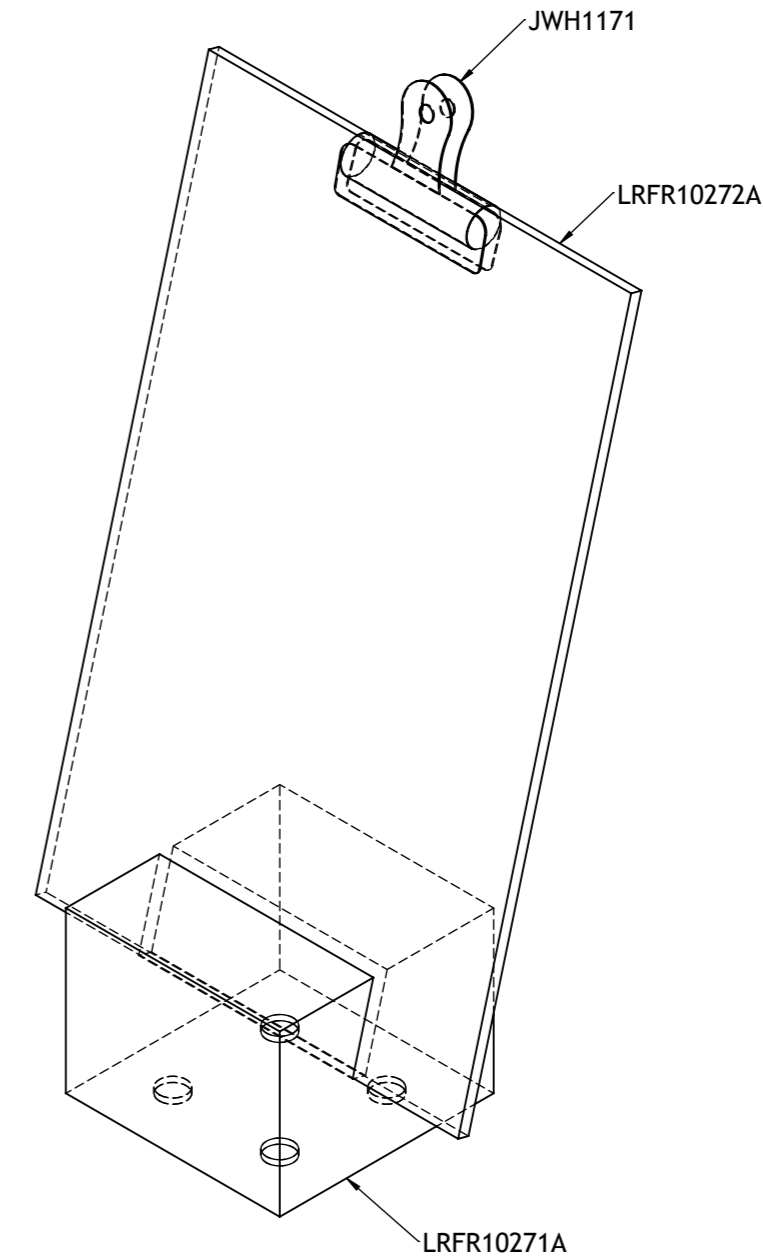
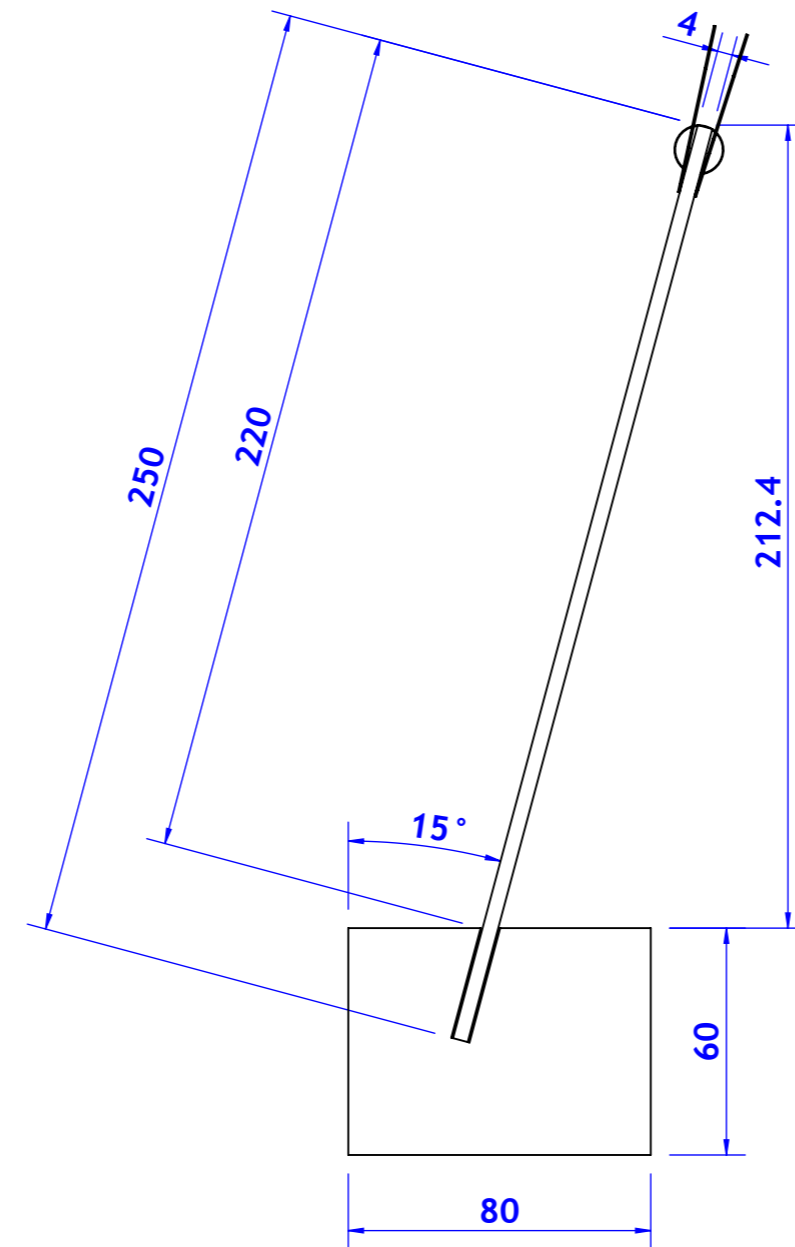
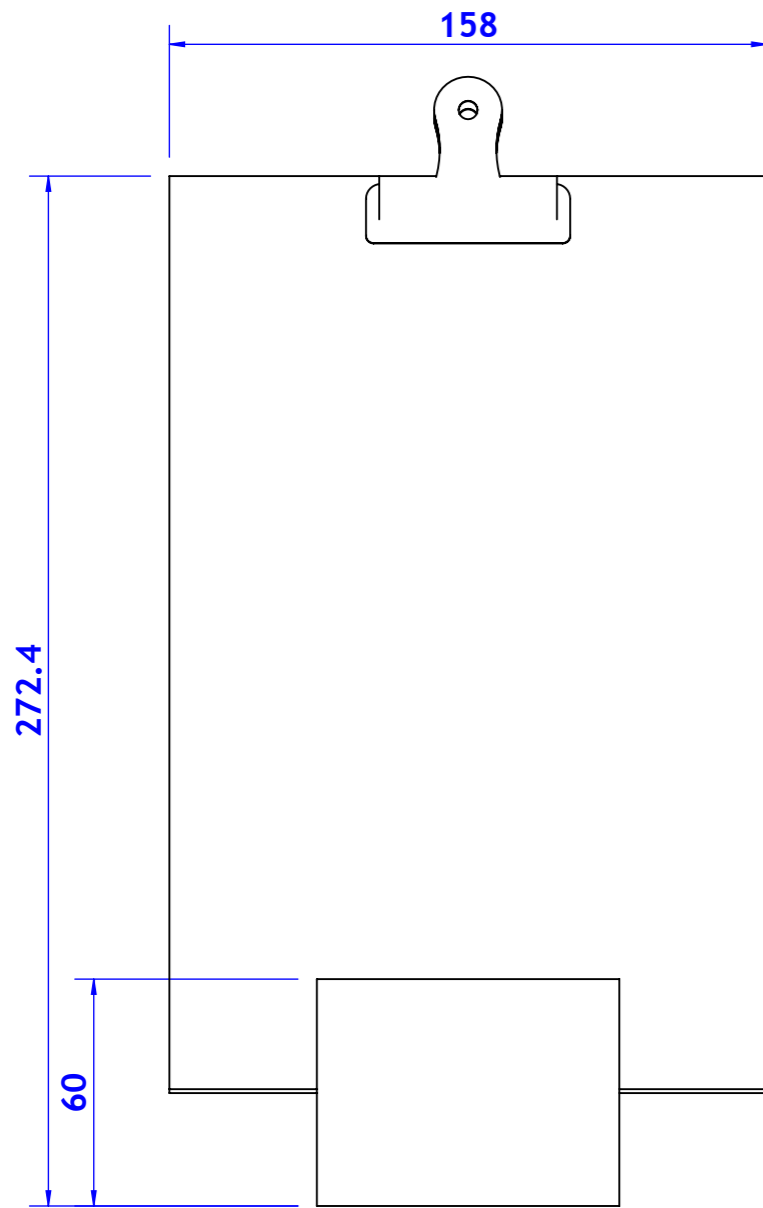
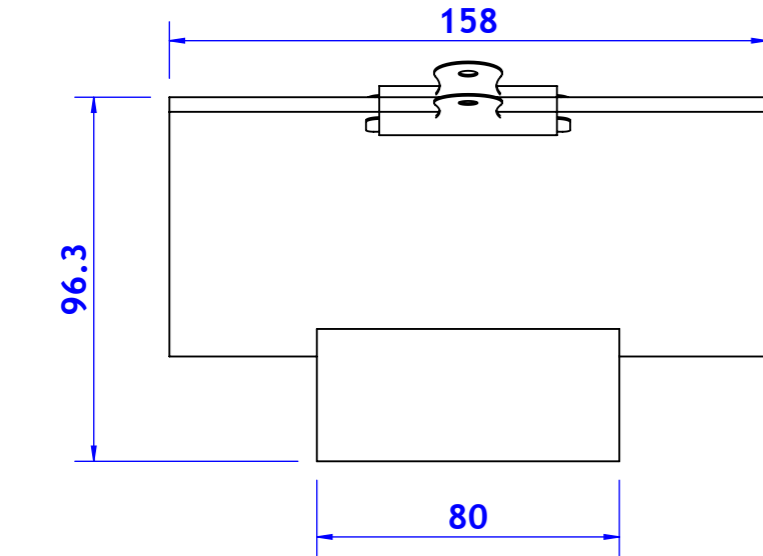


ITEM NO.	PART NAME	PART NO.	MATERIAL	QTY.	REV.
1	F4M_10dia x2mm magnet N35_F670-N35-20	JWH1162	10.00 dia x 2.00mm magnet	4	--
2	Bulldog Paper Clip 50mm	JWH1171	Bulldog paper clip 50mm	1	--
3	LRFR10271A_VM Block & Board A5_Timber_Block	LRFR10271A	80.00mm x 60.00mm Redwood Pine	1	A
4	LRFR10272A_VM Block & Board A5_Timber_Board	LRFR10272A	4.00mm Birch Faced Plywood	1	--

REVISIONS			
REV.	DESCRIPTION	DATE	BY
A	Magnets & bullclip added	29/04/2020	SM
B	Bullclip amended & drawing notes updated	11/06/2020	SM



NOTES:

- Block & board to be glued together.
- 4no. magnets to be glued in holes flush to underside of block using D4 class glue.
- Approved silver coloured bullclip to be added to board.

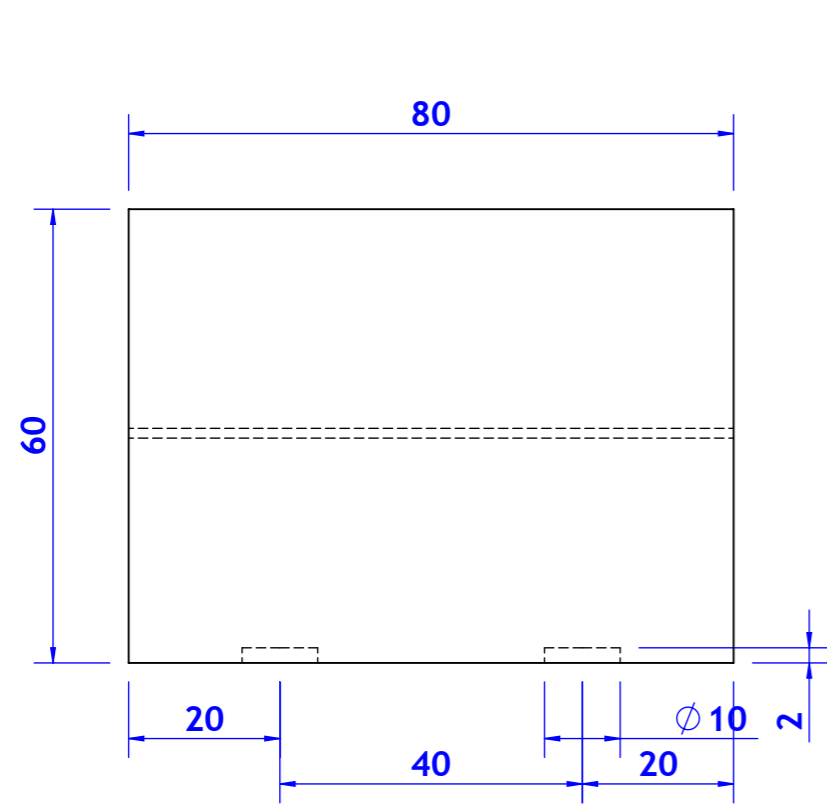
FIRST OFF



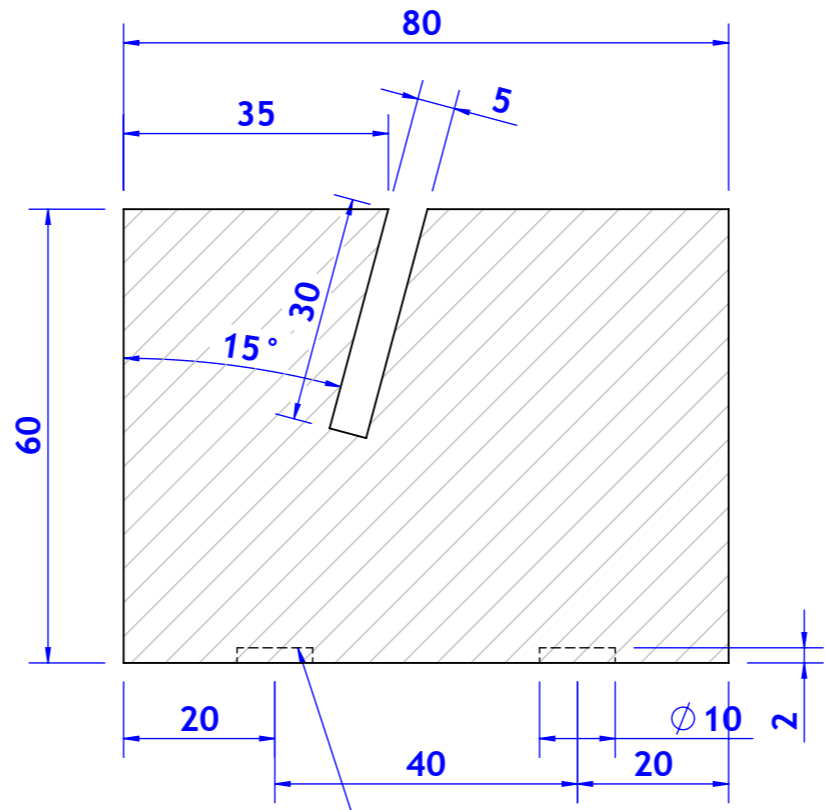
SHEET NO: 1 OF 2	A3
UNIT REVISION: B	
PART REVISION: B	DATE: 05/03/2020
DRAWN BY: SM	CHECKED BY: SM
APPROX. WEIGHT: 0.30kg	

UNLESS OTHERWISE STATED;
ALL DIMENSIONS ARE IN MILLIMETERS (mm)
LINEAR TOLERANCE ±0.5
ANGULAR TOLERANCE ±1.0°

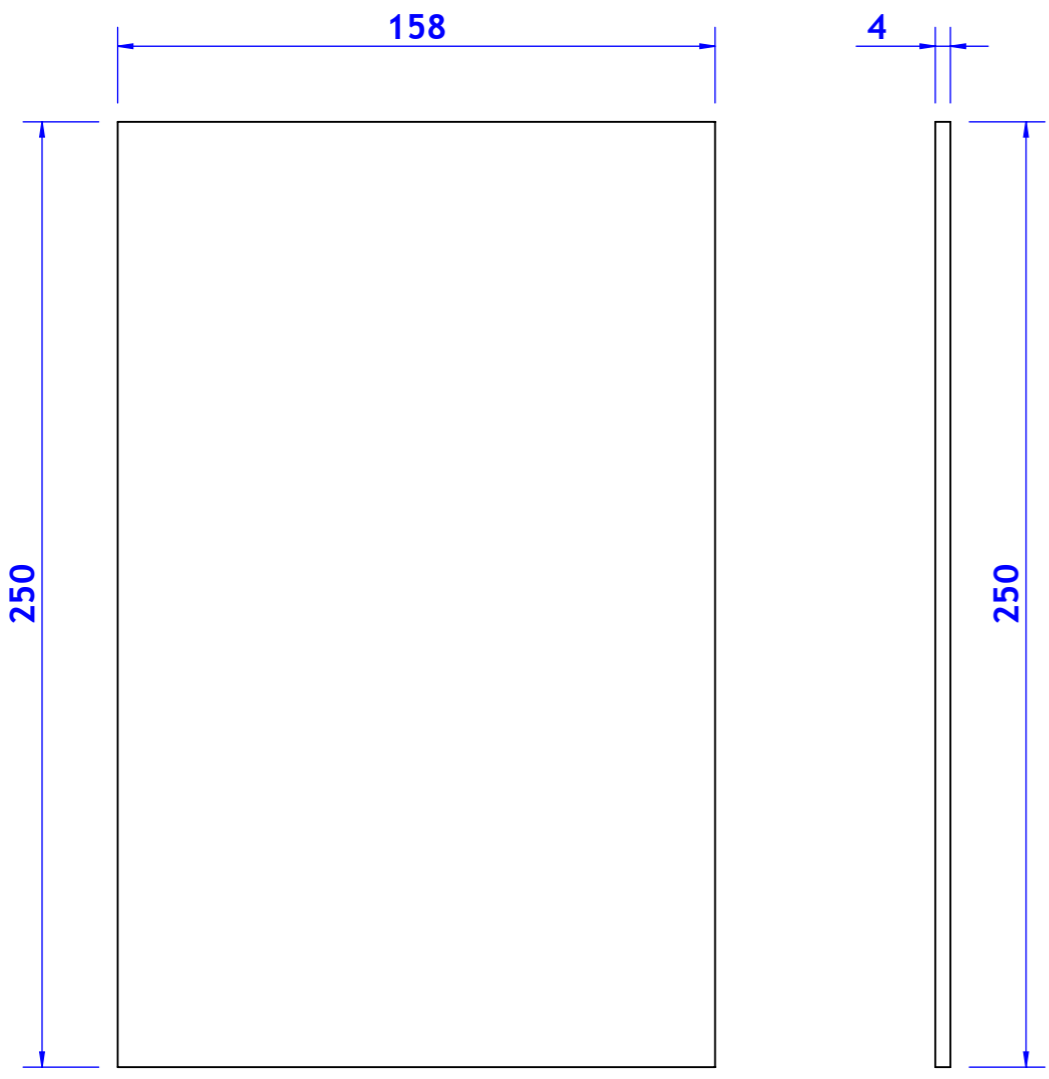
PART NO: LRFR10200A **MATERIAL:** 80.00mm x 60.00mm Redwood Pine & 4.00mm Birch Faced Plywood
FILE NAME: LRFR10200A_VM Block Base & Ply Board A5 Portrait



LRFR10271A - BLOCK



4no. 10mm dia holes cut on underside face of block for magnets to be glued in



LRFR10272A - BOARD

NOTES:

FIRST OFF



SHEET NO: 2 OF 2	A3
UNIT REVISION: B	
PART REVISION: A	DATE: 05/03/2020
DRAWN BY: SM	CHECKED BY: SM
APPROX. WEIGHT: 0.21kg	

UNLESS OTHERWISE STATED:
ALL DIMENSIONS ARE IN MILLIMETERS (mm)
LINEAR TOLERANCE ±0.5
ANGULAR TOLERANCE ±1.0°

PART NO: LRFR10200A

MATERIAL:
FILE NAME: LRFR10271A_VM Block & Board A5_Timber_Block