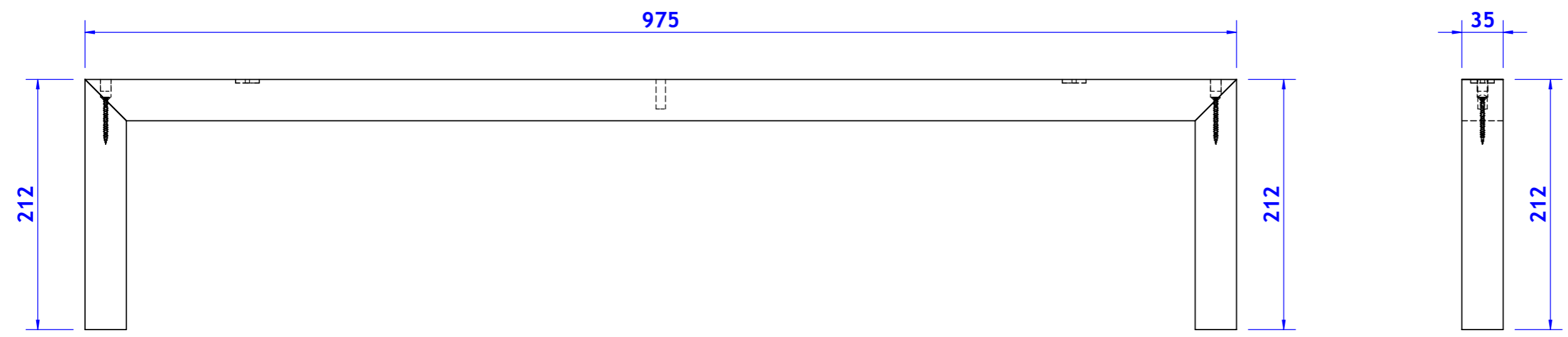
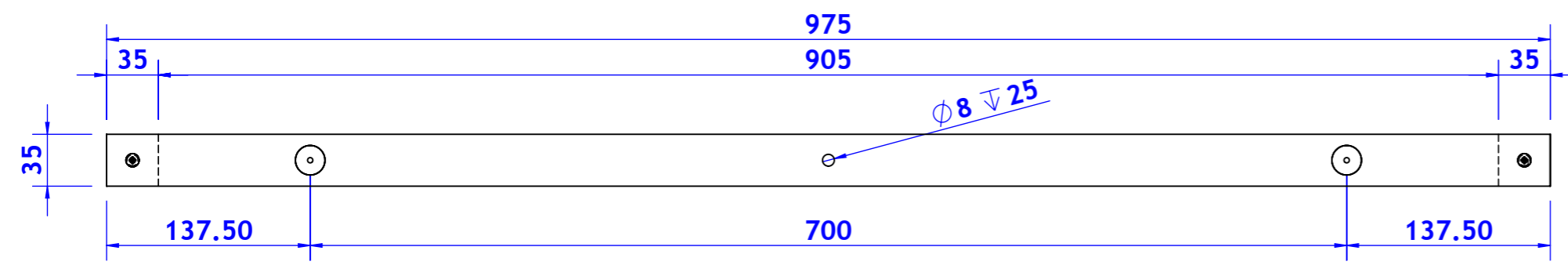
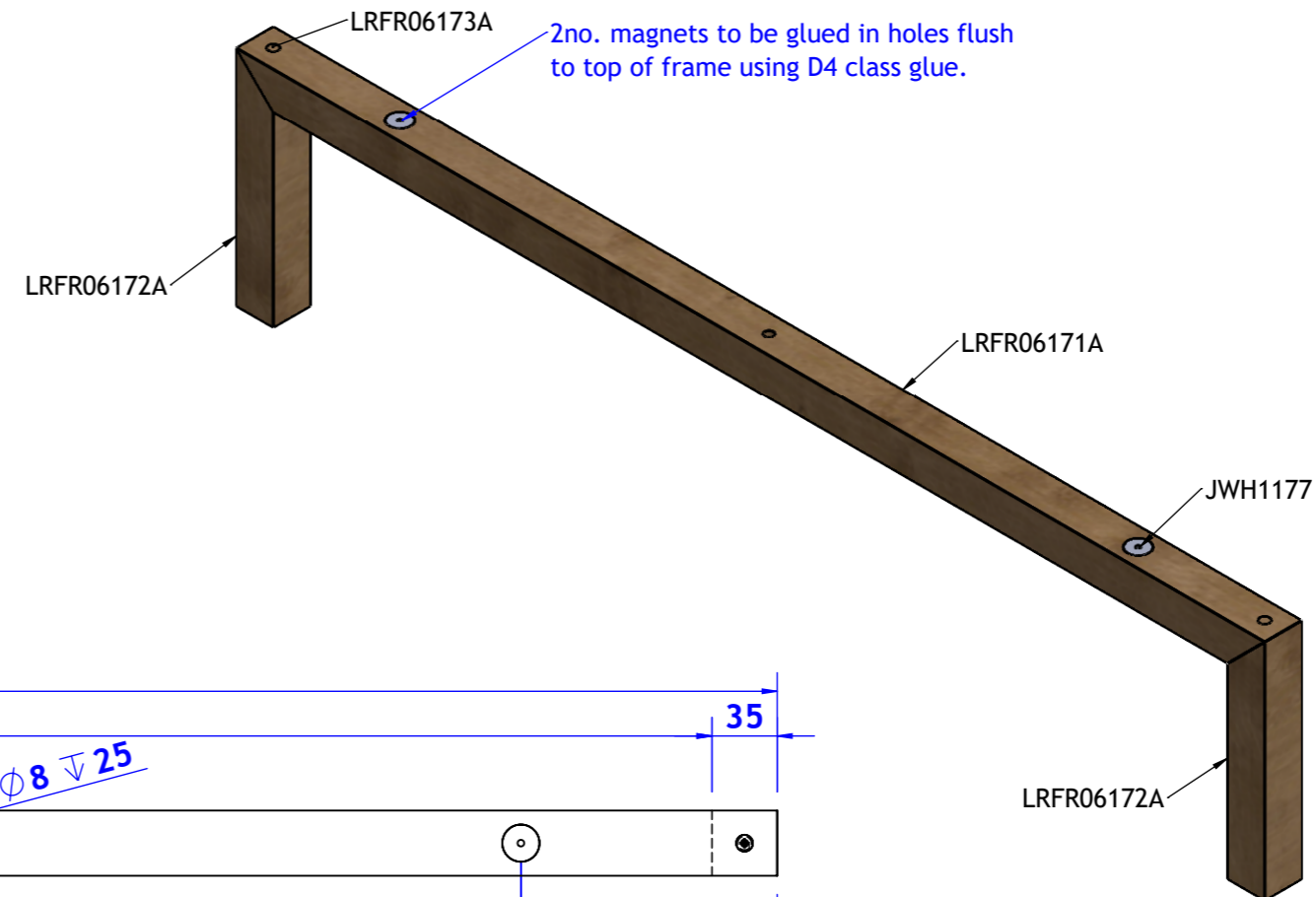


| ITEM NO. | PART NAME | PART NO. | MATERIAL | QTY. | REV. |
|----------|----------------------------------------------|------------|------------------------------------------|------|------|
| 1 | F406N 20x3mm N42 Neo Magnet | JWH1177 | F406N 20x3mm N42 Neodymium Magnet, 4.5kg | 2 | |
| 2 | LRFR06171A_Midfloor Fixture POS_Timber_Horiz | LRFR06171A | 35.00mm x 35.00mm Redwood Pine | 1 | A |
| 3 | LRFR06172A_Midfloor Fixture POS_Timber_Vert | LRFR06172A | 35.00mm x 35.00mm Redwood Pine | 2 | -- |
| 4 | LRFR06173A_Midfloor Fixture POS_Timber_Dowel | LRFR06173A | 9.00mm dia Redwood Pine Dowel | 2 | -- |

| REVISIONS | | | |
|-----------|--------------------------------|------------|----|
| REV. | DESCRIPTION | DATE | BY |
| A | Magnets added and locator hole | 17/06/2020 | SM |



NOTES:

Unit to be sent to site as shown.

Frame to be glued and screwed construction, all screws to be countersunk and plugged with pine dowels, ensure all dowels finish flush to frame components.

2no. magnets to be glued in holes flush to top of frame using D4 class glue.

FIRST OFF



| | |
|-------------------------|------------------|
| SHEET NO: 1 OF 1 | A3 |
| UNIT REVISION: A | |
| PART REVISION: A | DATE: 21/04/2020 |
| DRAWN BY: SM | CHECKED BY: SM |
| APPROX. WEIGHT: 0.91kg | |

UNLESS OTHERWISE STATED:
ALL DIMENSIONS ARE IN MILLIMETERS (mm)
LINEAR TOLERANCE ±0.5
ANGULAR TOLERANCE ±1.0°