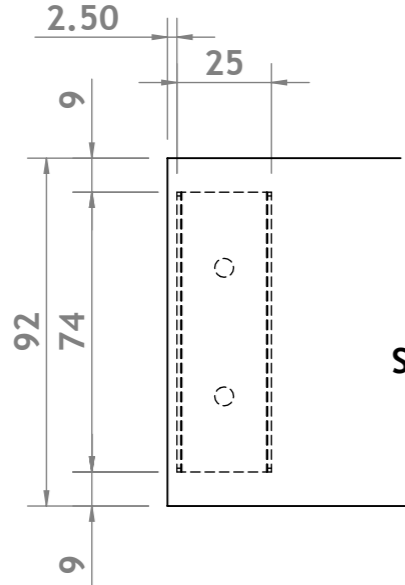
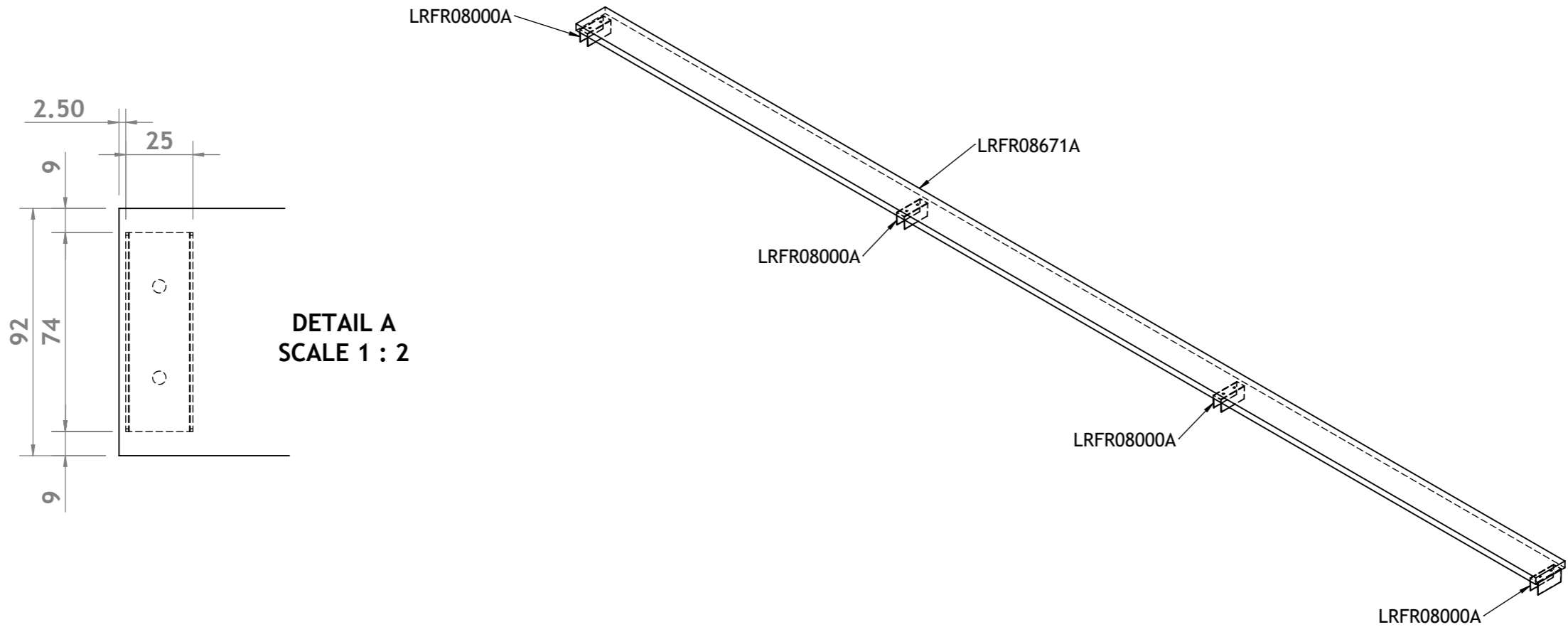
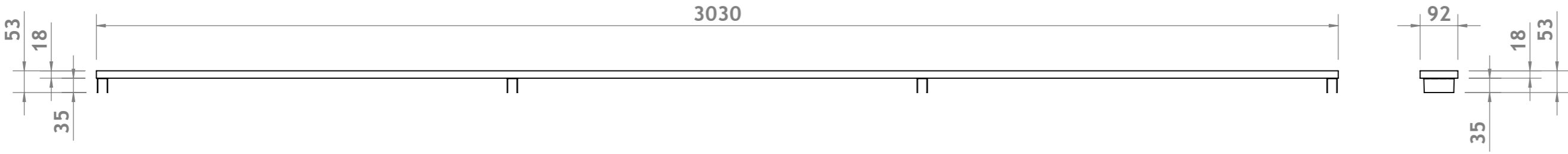
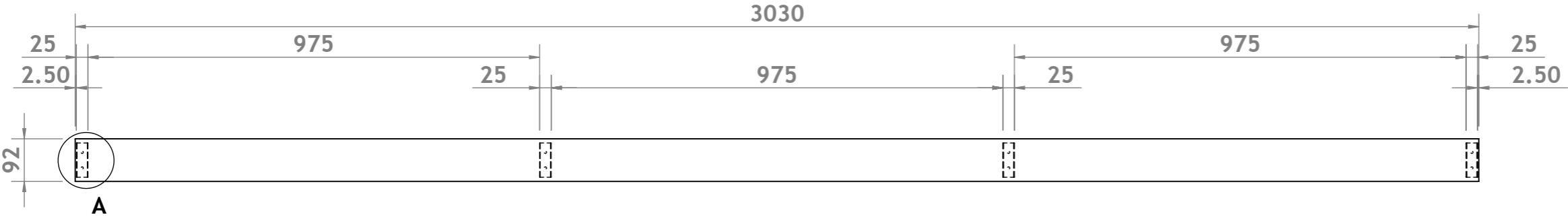


ITEM NO.	PART NAME	PART NO.	MATERIAL	QTY.	REV.
1	LRFR08000A_Midfloor Fixture Cap Locator Bracket	LRFR08000A	1.00mm CR4 - RAL 9005	4	--
2	LRFR08671A_Midfloor Fixture Horiz Mid Cap_3 Bay_Timber_Cap	LRFR08671A	18.00mm MFC - U999 Black	1	--

REVISIONS			
REV.	DESCRIPTION	DATE	BY



DETAIL A
SCALE 1 : 2



NOTES:

Colour matching 23x2mm ABS edging required to all edges.

Locator brackets to be screwed in position to dims shown on drawing.

FIRST OFF



SHEET NO: 1 OF 1	A3
UNIT REVISION: --	
PART REVISION: --	DATE: 20/04/2020
DRAWN BY: SM	CHECKED BY: SM
APPROX. WEIGHT: 3.72kg	

UNLESS OTHERWISE STATED;
ALL DIMENSIONS ARE IN MILLIMETERS (mm)
LINEAR TOLERANCE ±0.5
ANGULAR TOLERANCE ±1.0°

PART NO: LRFR08600A **MATERIAL:** See BOM table for individual material references
FILE NAME: LRFR08600A_Gondola Horizontal Top Capping Middle 3 Bay 3030x92x18mm